

Quad Relay Module



Introduction

The E-Plex 826QRM Quad Relay Module contains four change over relay contacts in our standard small enclosure, and connects directly to the E-Plex bus with no special interfacing.

Each relay can drive up to 250VAC at 10A with no external components.

Key Features:

- 10 Amp AC switch capacity.
- Activated Relay Indication.
- 4 independent channels with full change over connections (Volt Free).
- Two screw terminals per connection (to simplify linking).
- Standard EP3 connection.

Electrical Specifications

Electrical specifications details		Contact derating table
Relay Contact Rating	10 Amps @ 250V AC, 4 Amps @ 24VDC	
Len rating	3	

Physical Specifications

Front Bezel Material	Aluminum
Back Case Material	ABS
Operating Temperature	-20°C- 50°C (-4°F - 122°F)
Storage Temperature	-30°C- 85°C (-22°F - 185°F)
Weight	150g (5.25oz)
Overall Length	118mm (4.64")
Overall Height	41mm (1.61")
Overall Depth (including Connectors)	95mm (3.74")
Mounting Hole Size	M4

Terminal Connector Specifications

Connector Type - power and pump	Phoenix Contact 6 Way Screw Clamp Connector
Wire Gauge	0.2mm ² (24AWG) Min to 2.5mm ² (12AWG) Max
Wire Strip Length	5 – 7 mm (.19" - .27")
Communications Connectors Specifications	EP3

Featured Connections

EP3 Connector

Allows for connection of the E-Plex logic system

Activity LED

Shows indication of E-Plex activity

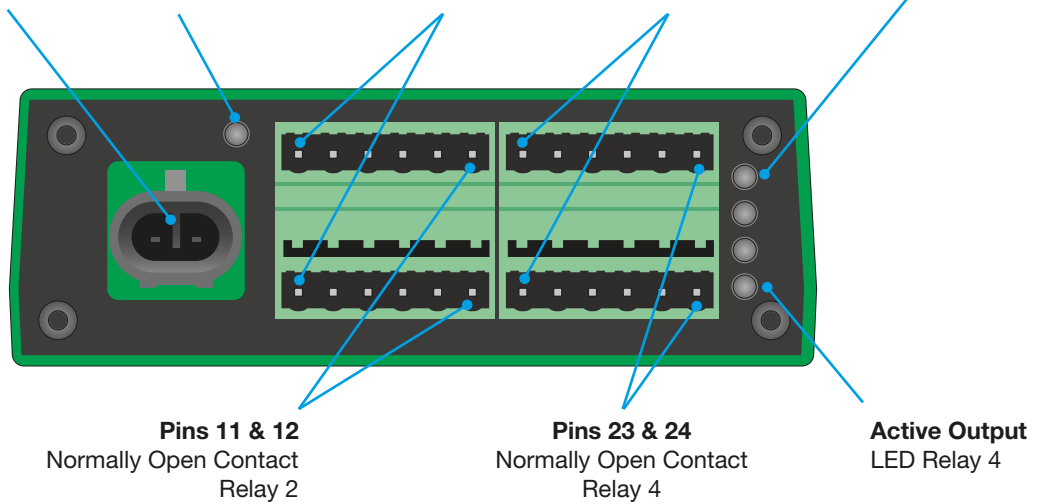
Pins 1 & 2

Common Contact Relay 1

Pins 13 & 14

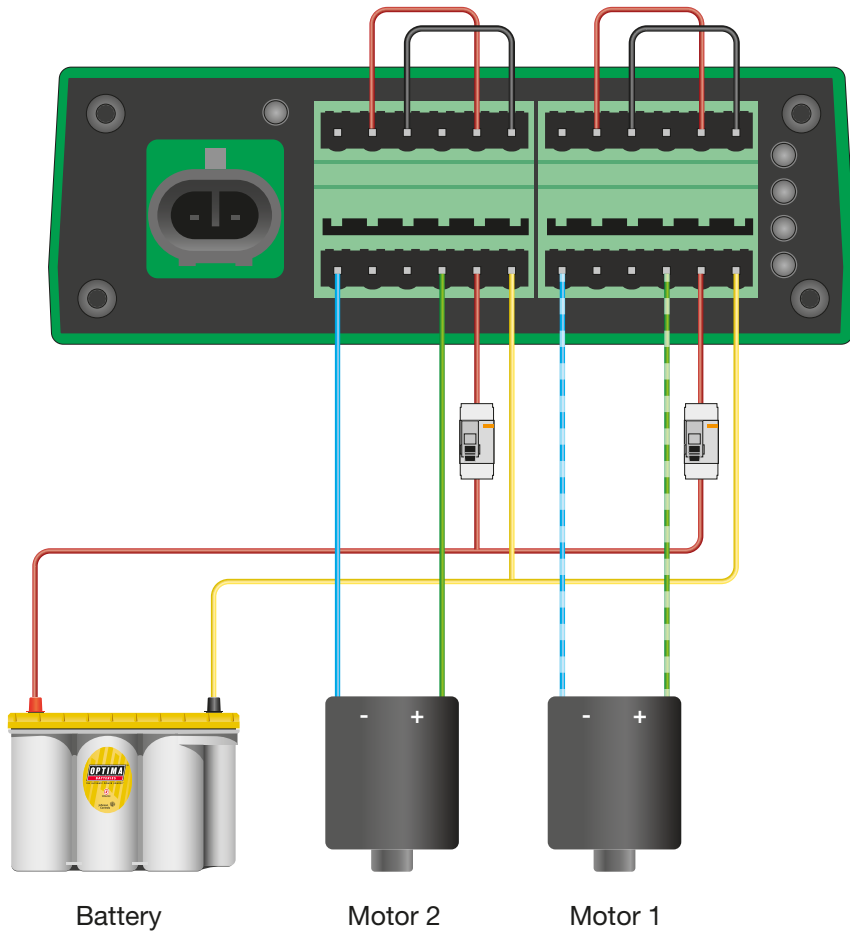
Common Contact Relay 3

Active Output LED Relay 4

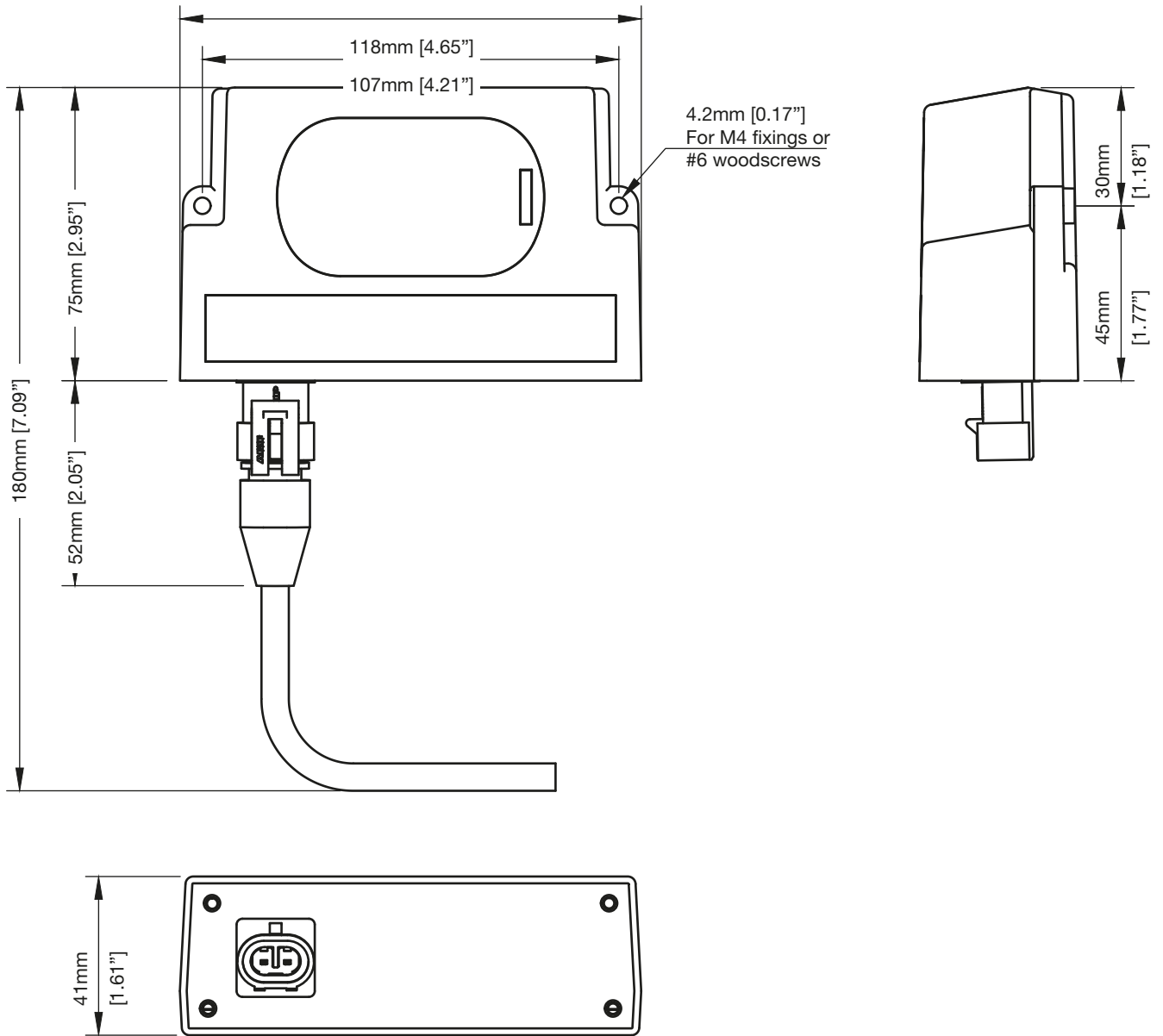


Connection	Specifications	In / Out	Remarks
1,2	Common Contact Relay 1	I/O	
3,4	Normally Closed Contact Relay 1	I/O	
5,6	Normally Open Contact Relay 1	I/O	
7,8	Common Contact Relay 2	I/O	
9,10	Normally Closed Contact Relay 2	I/O	
11,12	Normally Open Contact Relay 2	I/O	
13,14	Common Contact Relay 3	I/O	
15,16	Normally Closed Contact Relay 3	I/O	
17,18	Normally Open Contact Relay 3	I/O	
19,20	Common Contact Relay 4	I/O	
21,22	Normally Closed Contact Relay 4	I/O	
23,24	Normally Open Contact Relay 4	I/O	

Connection Example (When used as a dual reversible motor controller)



Dimensional Diagram



826QRM Retrofit and personalities³

The 826QRM device can be supplied as a retro fit module and will have the relevant firmware personality for the older module it is replacing.

These modules are the 172QR, 425DRM, 369DRM when ordered (see part number below). Due to the size of the 826QRM module vs the older modules a diagram showing module and cable space requirements is shown on previous page.

The personality in the 826QRM module makes the system believe that the original module type is connected and the programming and responses will be the same.

For information on specification changes and connections an additional information sheet is available and provided with the supplied module.

NOTES:

³ It is not recommended to use a personality devices for new installs.

We would always recommend using the native 826QRM for future compatibility and upgradability.

Ordering codes

Description	Ordering Code
826QRM Quad Relay Module	EP3-826QRM (Includes connectors)
826QRM Replacement Connector	CO-CONN-826QRM-PLUG
0.2 Metre EP3 Cable	EP3-CA-0.2M

When used as emulated device type

Description	Ordering Code
826QRM with 172QR Personality	EP3-826-172QR
826QRM with 369DRM Personality	EP3- 826-369DRM
826QRM with 425DRM Personality	EP3- 826-425DRM



826QRM Version 1.0 | SEP 2018

52 – 54 Riverside, Sir Thomas Longley Road, Medway City Estate, Rochester,
Kent ME2 4DP

tel: +44 (0)1634 711622

email: sales@e-plex.co.uk

web: www.e-plex.co.uk