

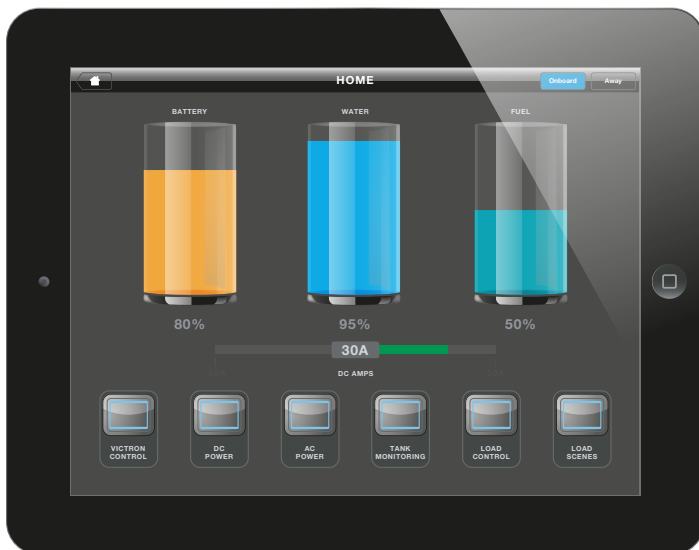
801iPlex iOS interface



Introduction

The 801iPlex provides connectivity between an E-Plex system and iOS devices (Apple iPhone, iPod Touch and iPad) via Wi-Fi. It allows bi-directional control and monitoring of an E-Plex system, to deliver a polished user interface through a familiar device.

Graphical designs are created through CommandFusion; a powerful, free to download software package that blends graphical layout, scripting, and macros. CommandFusion can also be used to control third-party systems. For example you could seamlessly control lighting via E-Plex, and an audio system via a third-party infra-red interface from within the same touchscreen design.



Key Features

- Allows powerful control and monitoring of an E-Plex system from iOS devices.
- Supports both local and remote control.
- Can communicate with iOS devices directly (ad-hoc), or via an existing access point (infrastructure).
- Can connect to the local network via Wi-Fi or Ethernet connection.
- Integration of 3rd party systems.
- Integrated EP3 simple connector system.
- High quality royalty free graphical themes included with E-Logic.
- Sample GUI layouts and E-Logic designs included with E-Logic.
- JavaScript libraries for automating common tasks included with E-Logic.

Notes

When using an 801iPLEX for remote control, it is necessary to ensure that the required safety and security precautions are taken in order to prevent unwanted/dangerous side effects from accidental/malicious data sent from unauthorised entities. An understanding of the relevant networking technologies (port forwarding/NAT traversal, DNS etc.) is required in order to set up remote access.

Infrastructure mode is recommended as it provides greater reliability and flexibility.

A Wi-Fi access point with Ethernet port is required for Ethernet connection.

Licensing

Both the GUI design software and the iOS app are free to download and use. However, by default the iOS app is limited to displaying single page user interfaces. In order to utilise interfaces with multiple pages, a license must be purchased for each iOS device that will connect to the system. Licenses can be purchased directly from CommandFusion.

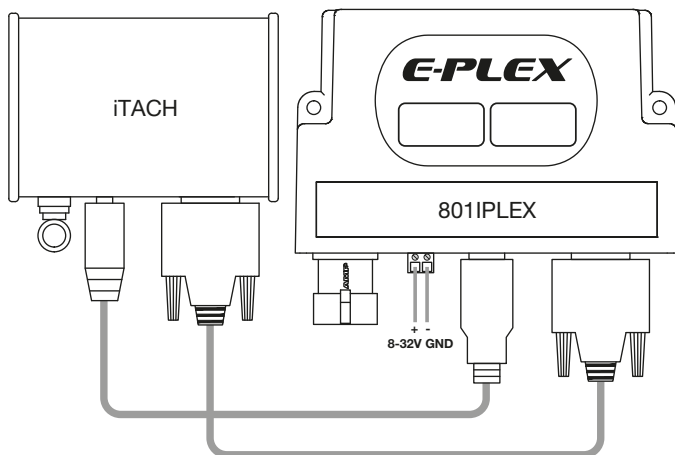
Supplied parts

The 801iPLEX is supplied as a kit of parts which includes the following:

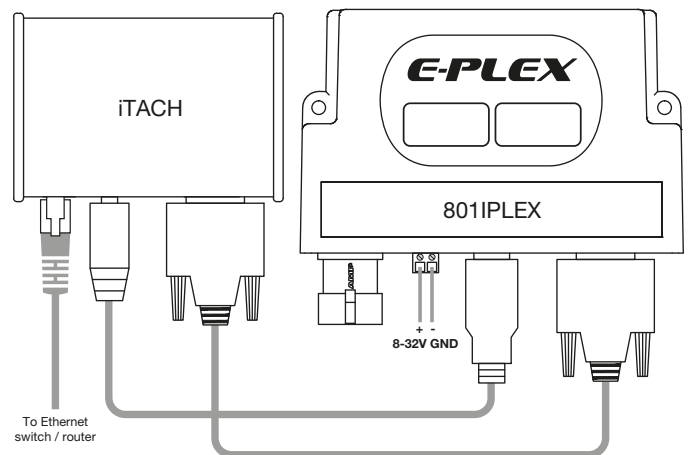
- 801iPLEX.
- Network adapter (either Wi-Fi or Ethernet, see ordering codes).
- RS232 cable (for connecting 801iPLEX to network adapter).
- USB cable for powering network adapter from 801iPLEX.
- AC adapter for use where USB power is not practical.



Connection diagram



801iPLEX with Wi-Fi connection.



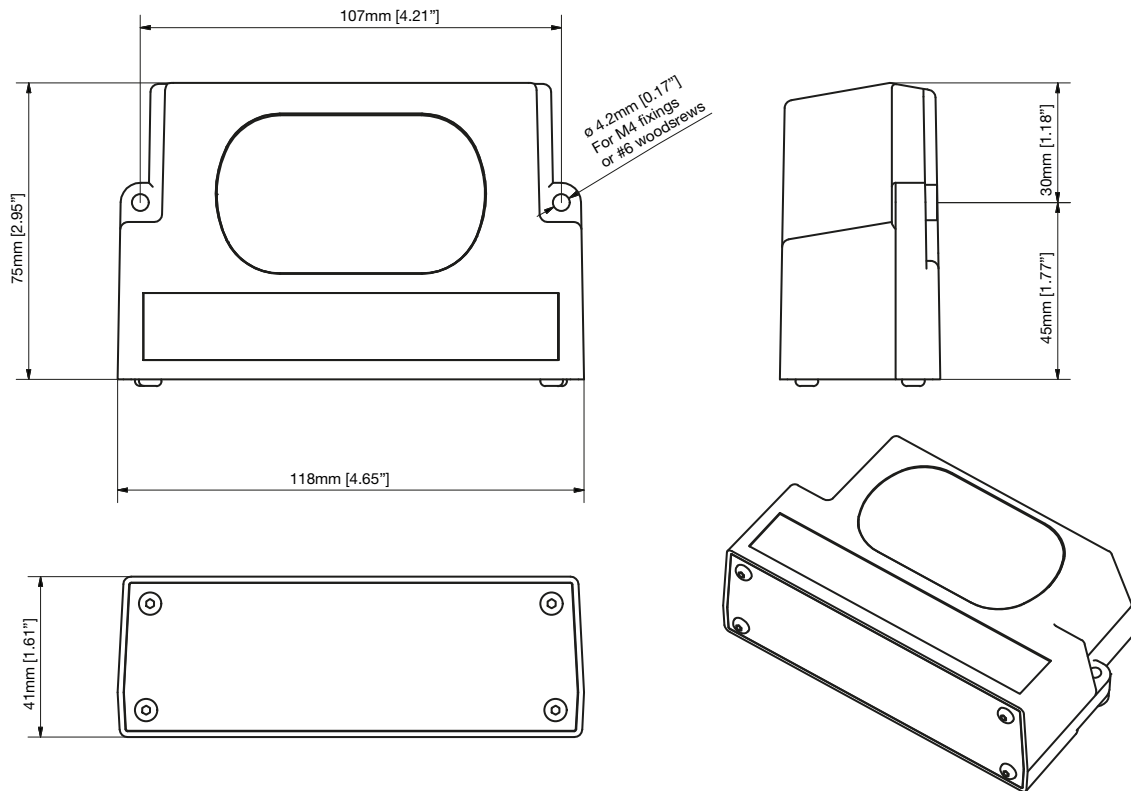
801iPLEX with Ethernet connection.

Electrical specifications

Description	Minimum	Nominal	Maximum
Battery voltage	10 VDC	12 / 24 VDC	32 VDC
Battery current	100 mA	-	600 mA
E-Plex LEN	-	3	-

Mechanical specifications

Description	Specifications
Operating Temperature	-20°C to 60°C (non freezing)
Storage Temperature	-40°C to 85°C
Operating Humidity	5% to 95% (non-condensing)
IP Rating	IP20



Ordering codes

Description	Ordering Code
801iPLEX with Wi-Fi connection	EP3-INTER-801IPLEX-KIT-01
801iPLEX with Ethernet connection	EP3-INTER-801IPLEX-KIT-02



52 – 54 Riverside, Sir Thomas Longley Road, Medway City Estate, Rochester, Kent ME2 4DP
tel: +44 (0)1634 711622 fax: +44 (0)1634 290773

email: sales@e-plex.co
web: www.e-plex.co

Important Notice: E-Plex Ltd. (E-Plex) reserves the right to make changes to or discontinue any product or service identified in this publication without notice. E-Plex advises its customers to obtain the latest version of the relevant information to verify, before placing any orders, that the information being relied upon is current. E-Plex assumes no responsibility for infringement of patents or rights of others based on E-Plex applications assistance or product specifications since E-Plex does not possess full access concerning the use or application of customers' products. E-Plex also assumes no responsibility for customers' product designs.