

Dual Relay Input Module



Introduction

The E-Plex 356DRIM is a flexible input and output module consisting of 2 normally open relay outputs and 4 digital inputs. Each digital input is configurable as either active high or active low through the E-Logic software.

For output relays, status LEDs are red when the relay is closed. For digital inputs, status LEDs indicate green for active high input, red for active low input.

Key Features

- 2 relay outputs.
- 4 inputs, configurable as active high or low.
- Inputs isolated from E-Plex ground.
- Output relay contacts rated for 10 amps AC or 5 amps DC.
- Status LEDs for inputs and outputs.
- Ideal for controlling generators.
- LEN value 23 @12V.



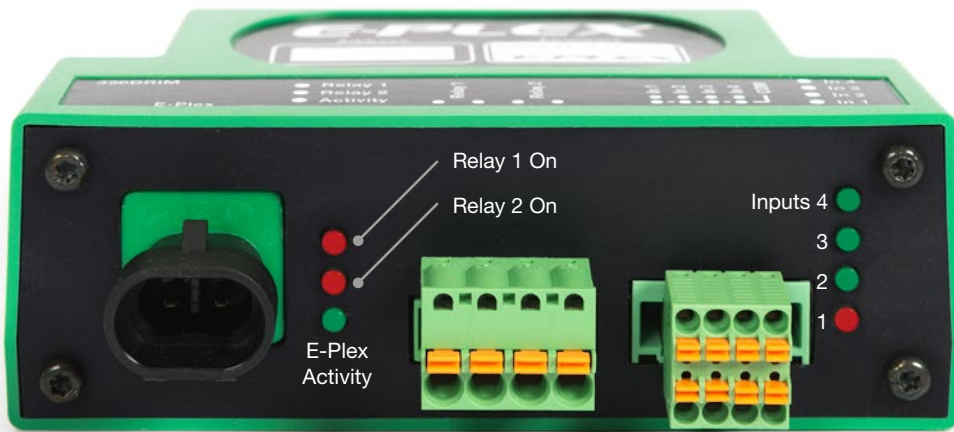
Design Specifications

- PCB characteristics: UL94V-0.
- Operating Temperature: -20°C to 60°C.
- Storage Temperature: -40°C to 85°C.
- Operating Humidity: 0% to 95% (non-condensing).
- Weight: 188g.

Electrical Specifications

Description	Minimum	Nominal	Maximum	Absolute Max (Surge)
Voltage	11 VDC	12 / 24 VDC	32 VDC	45 VDC
Current 12V	25mA (idle)	—	230mA (full load)	—
Current 24V	25mA (idle)	—	110mA (full load)	—
Input Low Threshold	—	—	2V	—
Input High Threshold	7V	—	—	—
Input Electrical isolation from E-Plex ground	—	—	30VAC 35VDC	—
Input Voltage range (relative to input common)	0V	—	32V	—
Output Relay Contact Rating (120 / 240VAC)	—	—	10A	—
Output Relay Contact Rating VDC	—	—	5A	—

Typical Wiring Diagram



Status LEDs:

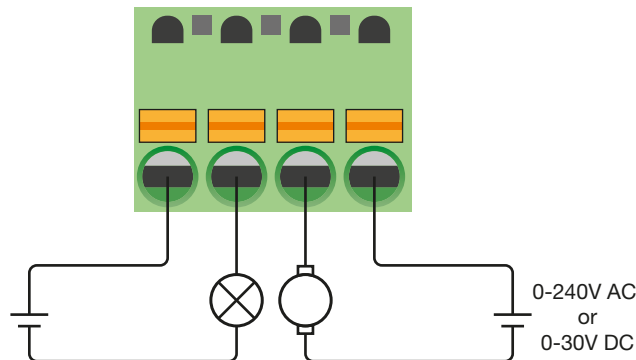
Relay 1 & 2:
ON - relay is closed
OFF - relay is open

E-Plex Activity:
Blinking - module is responding
OFF - module is not responding

Digital Inputs 1-4:
All inputs are bi-colour
Off - Input inactive
GREEN - input is high
RED - input is low

Relay 1 & 2 Configuration

(Dinkle 2ESDSR-04P)



Recommended wire:

0.2 to 2.5mm² solid or stranded wire. Insulation should be stripped back 8 to 9mm.

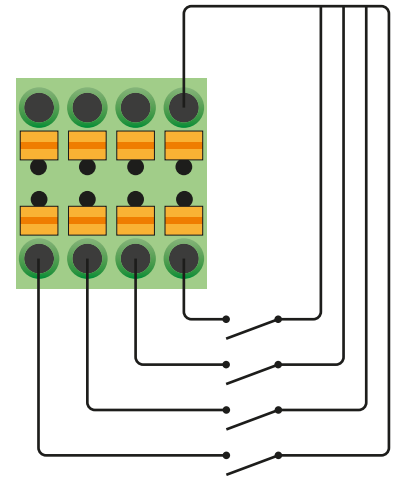
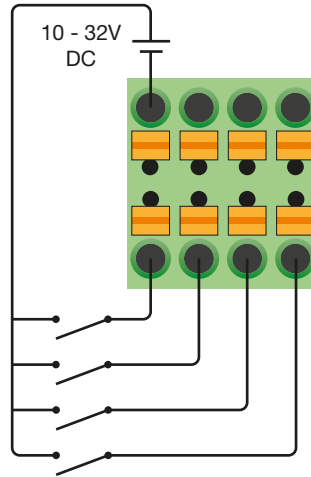
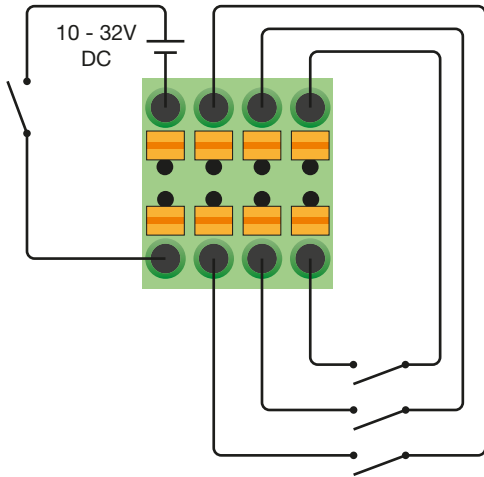
Digital Inputs 1-4 Configuration

(Dinkle 0156-2b08) All Input commons connected internally

Configured with Input 1 active high, Input 2,3,4 active low

Configured with all Inputs active high

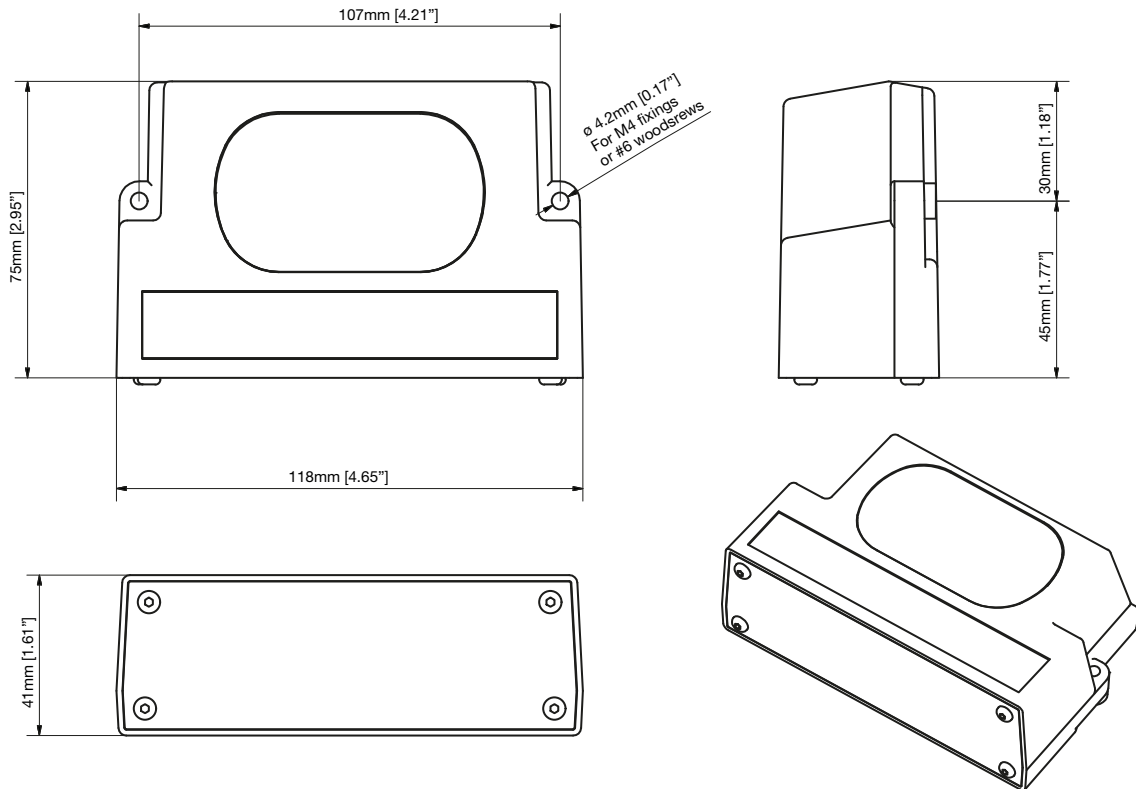
Configured with all Inputs active low



Recommended Wire:

0.2 to 1mm² Solid wire, 0.2 to 1.5mm² Stranded wire, 0.25 to 0.5mm² If Ferrule used. Insulation should be stripped back 7 to 8mm.

Dimensional Specifications



Ordering Information

Description	E-Plex Part Number
356DRIM Series - Dual Relay Input Module	EP3-SW-IO-4/2CH-356DRIM



52 – 54 Riverside, Sir Thomas Longley Road, Medway City Estate, Rochester, Kent ME2 4DP
tel: +44 (0)1634 711622 fax: +44 (0)1634 290773

email: sales@e-plex.co
web: www.e-plex.co