

Quad Relay Module (Emulated)



Introduction

The E-Plex® 826QRM with 172QR personality will functionally operate the same as the native 172QR module. This includes recognising and running the same logic as the native device, however the size and format are different.

Key Features:

- 10 Amp AC switch capacity.
- Activated Relay Indication.
- 4 independent channels with full change over connections (Volt Free).
- Two screw terminals per connection (to simplify linking).
- Standard EP3 connection.

Electrical Specifications

Electrical specifications details		Contact derating table
Relay Contact Rating	10 Amps @ 250V AC, 4 Amps @ 24VDC	
Len rating	3	

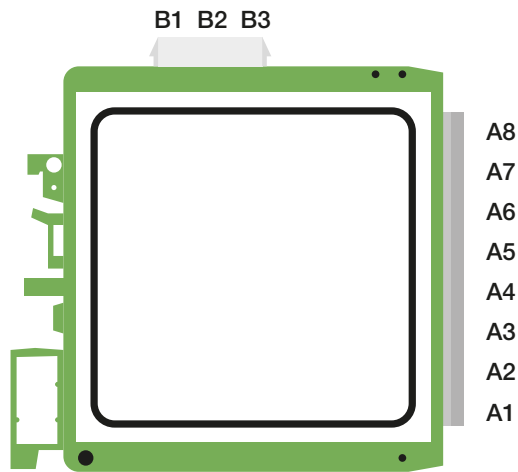
Physical Specifications

Front Bezel Material	Aluminum
Back Case Material	ABS
Operating Temperature	-20°C- 50°C (-4°F - 122°F)
Storage Temperature	-30°C- 85°C (-22°F - 185°F)
Weight	150g (5.25oz)
Overall Length	118mm (4.64")
Overall Height	41mm (1.61")
Overall Depth (including Connectors)	95mm (3.74")
Mounting Hole Size	M4

Terminal Connector Specifications

Connector Type - power and pump	Phoenix Contact 6 Way Screw Clamp Connector
Wire Gauge	0.2mm ² (24AWG) Min to 2.5mm ² (12AWG) Max
Wire Strip Length	5 – 7 mm (.19" - .27")
Communications Connectors Specifications	EP3

Original module connections



New module connections

EP3 Connector

Allows for connection of the E-Plex logic system

Activity LED

Shows indication of E-Plex activity

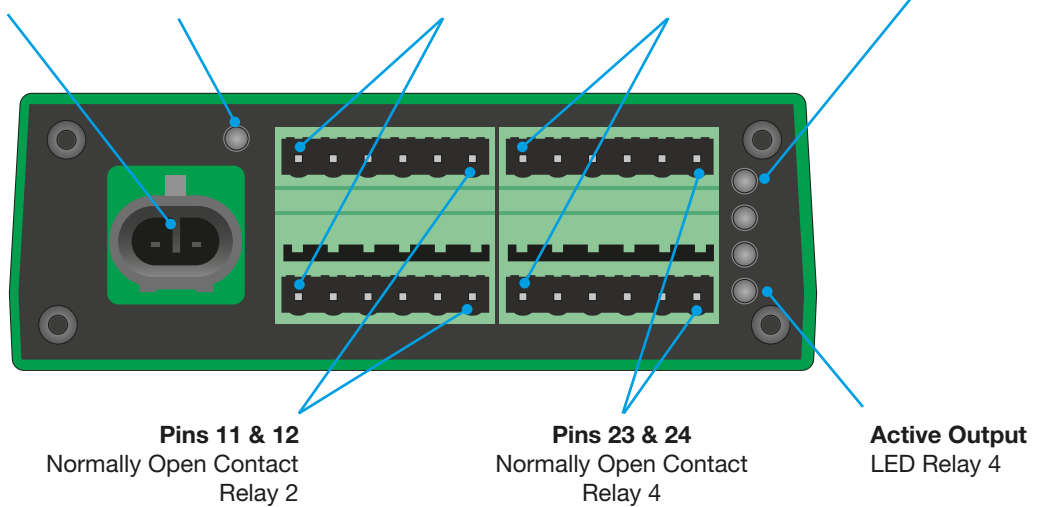
Pins 1 & 2

Common Contact Relay 1

Pins 13 & 14

Common Contact Relay 3

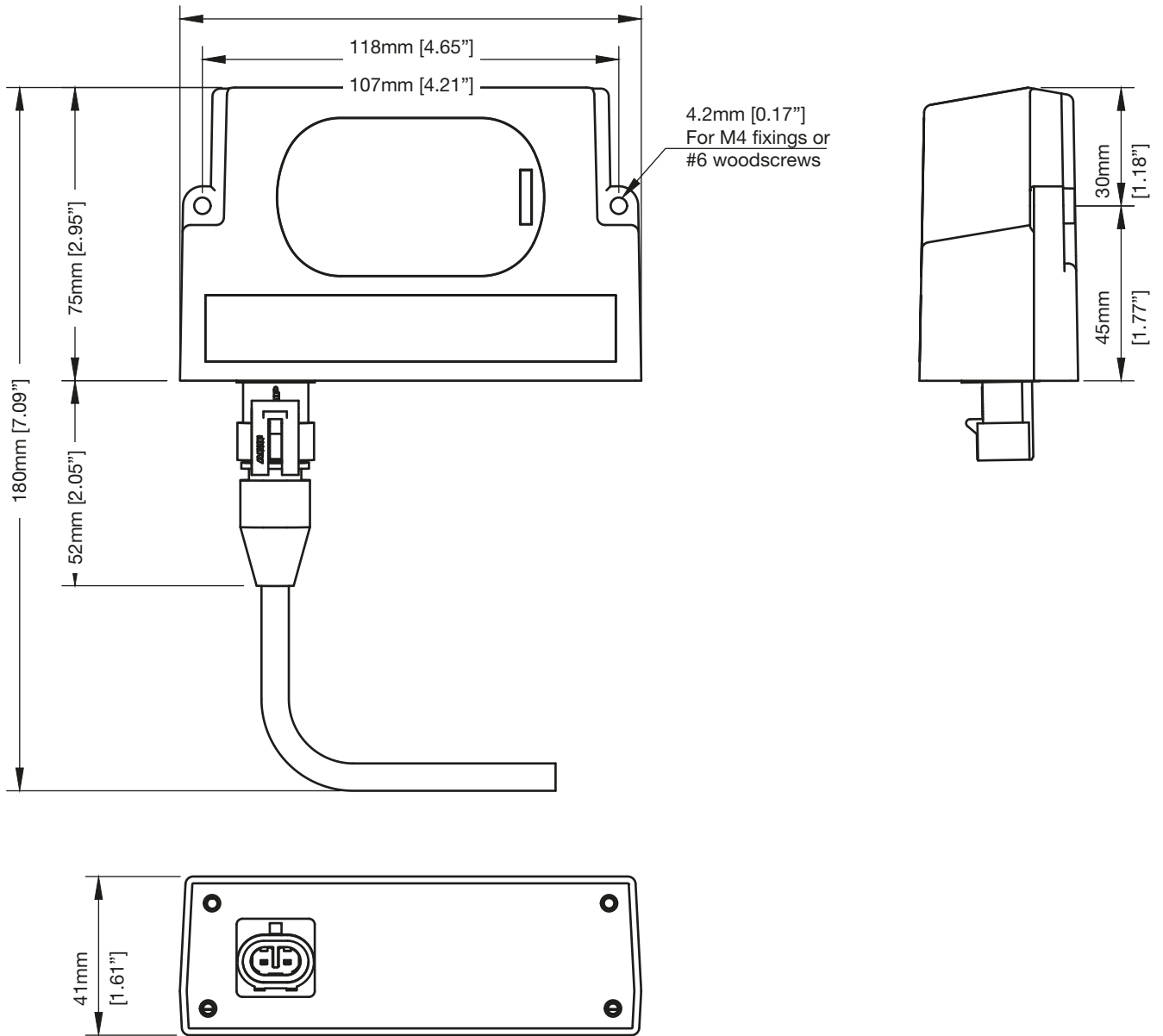
Active Output LED Relay 1



Connections matrix

174QR (Original wiring)			New Connection on above module
Pin #	Connection	Description	
A1	Relay 1	Normally open Contact 1	5 or 6
A2	Relay 1	Common Contact 1	1 or 2
A3	Relay 2	Normally open Contact 2	11 or 12
A4	Relay 2	Common Contact 2	7 or 8
A5	Relay 3	Normally open Contact 3	17 or 18
A6	Relay 3	Common Contact 3	13 or 14
A7	Relay 4	Normally open Contact 4	23 or 24
A8	Relay 4	Common Contact 4	19 or 20
B1	E-Plex Data Bus +		Grey connection on EP3 Cable
B2	Battery - & E-Plex Data Bus -		Violet connection on EP3 Cable
B3	Battery +		

Dimensional Diagram



Ordering codes

Description	Ordering Code
826QRM With 172QR Personality (Quad Relay)	EP3-826-172QR
172QR Replacement Connector	CO-CONN-826QRM-PLUG
0.2 Metre EP3 Cable	EP3-CA-0.2M



826-172QR Version 1.0 | SEP 2018

52 – 54 Riverside, Sir Thomas Longley Road, Medway City Estate, Rochester,
Kent ME2 4DP

tel: +44 (0)1634 711622

email: sales@e-plex.co.uk

web: www.e-plex.co.uk